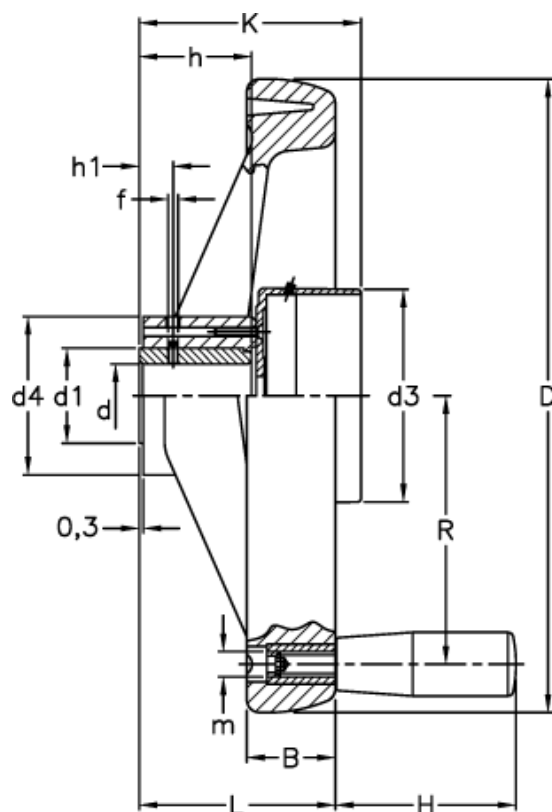


Article number: 2307033221

Description: E+G Two-spoke handwheel
VRTP.200-GXX2-A16+I

Measures



B	= 28	h	= 34
D	= 200	h1	= 12
d1	= 30	K	= 70
d3	= 76	L	= 61
d4	= 50	m	= M8
d H7	= 16	R	= 84
f	= M8		
H	= 80		